

About Us

Based in Boston, Massachusetts, Evolv Technology is rethinking everything about the security industry by creating solutions that address and adapt to the threats of today's increasingly dangerous world. Evolv's Mosaic™ Platform provides a first-of-its-kind solution, integrating real-time video surveillance, walkthrough firearm and explosive detection, facial recognition, and security analytics. Led by veterans of the physical security industry, and advised by former leaders of the TSA, FBI, CIA, Secret Service, and Homeland Security, Evolv is dedicated to helping government agencies and private businesses protect their soft targets and their hard assets.

evolvtechnology.com



CONTACT US

To learn how we can help your organization reduce the risk of mass casualty threats, contact us at info@evolvtechnology.com

Evolv Technology
200 West Street
Waltham, MA 02451
(781) 374 8100

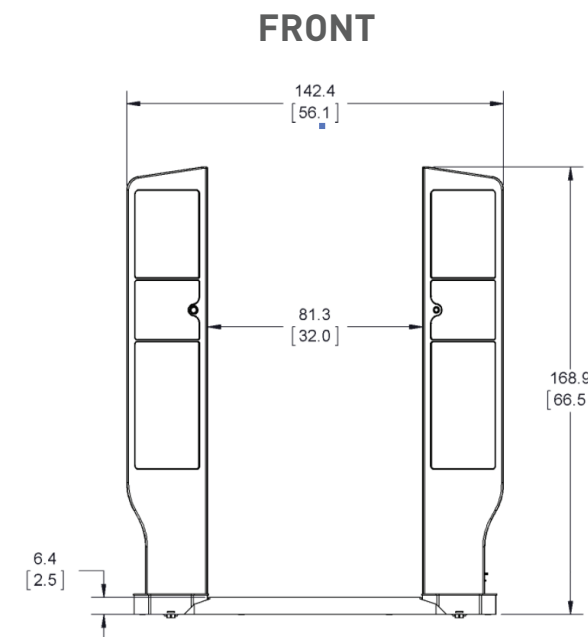
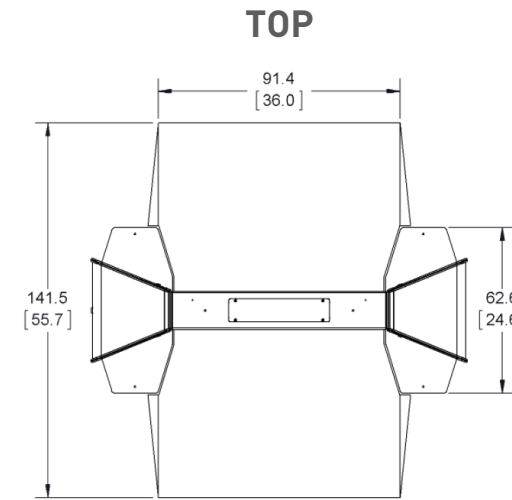
EVOLV EDGE™

MASS CASUALTY PERSONNEL SCREENING

EVOLV EDGE

The next generation in security technology, Evolv Edge™ provides comprehensive mass casualty personnel screening with high-throughput and unparalleled flexibility.

- ▶ Detects explosives and firearms
- ▶ Integrated video camera to identify known wolves
- ▶ Fully configurable, modular architecture
- ▶ Supports a wide range of deployment scenarios



PHYSICAL SPECIFICATIONS

Dimensions	Depth:	141.5 cm (55.7 in)
	Width:	142.4 cm (56.1 in)
	Height:	168.9 cm (66.5 in)
	Weight:	113.4 kg (250.0 lbs)
Opening	Width:	81.3 cm (32.0 in)
Power	Voltage:	100-240 VAC +/- 10%
	Phase:	50/60 Hz
	Circuit:	15 Amps (dedicated)
	Consumption:	500 watts (typical)
Input/Output	Line Cord	(see power)
	Ethernet (RJ45)	
	USB 3.0	

ENVIRONMENTAL SPECIFICATIONS

Operating Temperature	0 to 40 degrees C (32 to 104 degrees F)
Storage Temperature	-18 to 50 degrees C (0 to 122 degrees F)
Relative Humidity	0 to 95% (non-condensing)

INCLUDED ACCESSORIES

- Tablet-Based User Interface (Free-Standing Pedestal or Free-Floating in Ruggedized Case)
- Visitor Instructional Signage
- Visitor Floor Mats

OPTIONS

- Bag Check Table
- Remote Display & Desk
- Retractable Stanchions
- Battery Pack
- Extended Warranty - Service Packages

PRODUCT CAPABILITIES



SCANS AT THE SPEED OF LIFE

Eliminate bottlenecks and long lines with a solution that scans as people walk through without the need to remove outerwear or empty pockets.



HANDLES COMPLEX ENVIRONMENTS

Randomize checkpoints and add layers of security in response to changing threat levels. Built-in wheels and portable system breakdown make it easy to move and deploy Edge quickly.



ADAPTS WITH THE LATEST THREATS

The modular architecture enables upgrades and additional sensors as needed. Manage Edge remotely and tap into the Evolv Mosaiq™ network. Real-time intelligence on the changing threat stream can update the system in hours, not months.



DETECTS GUNS AND EXPLOSIVES

Spot concealed firearms, non-metallic explosives, suicide vests and other threats with very low false positives. Threats are color-coded on the intuitive user interface allowing different responses based upon type of threat. Millimeter wave fused with other sensors feeds automated detection algorithms.



RECOGNIZES KNOWN WOLVES

Stay on constant lookout for known wolves and other watchlist individuals using proven facial recognition and human IQ. Integrated video camera provides positive ID for alarm resolution. Send notifications and alerts to mobile team or operations center.

HEALTH AND SAFETY COMPLIANCE*

UL61010, EN61010 and IEC61010

CE Mark (CE Directives and Standards)

FCC 47 CFR Part 15

*Pending